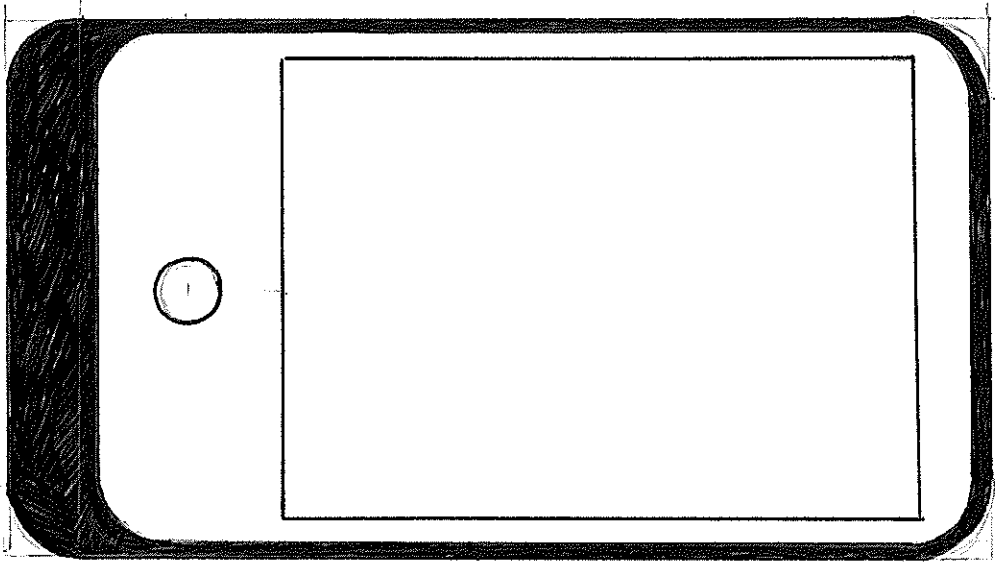


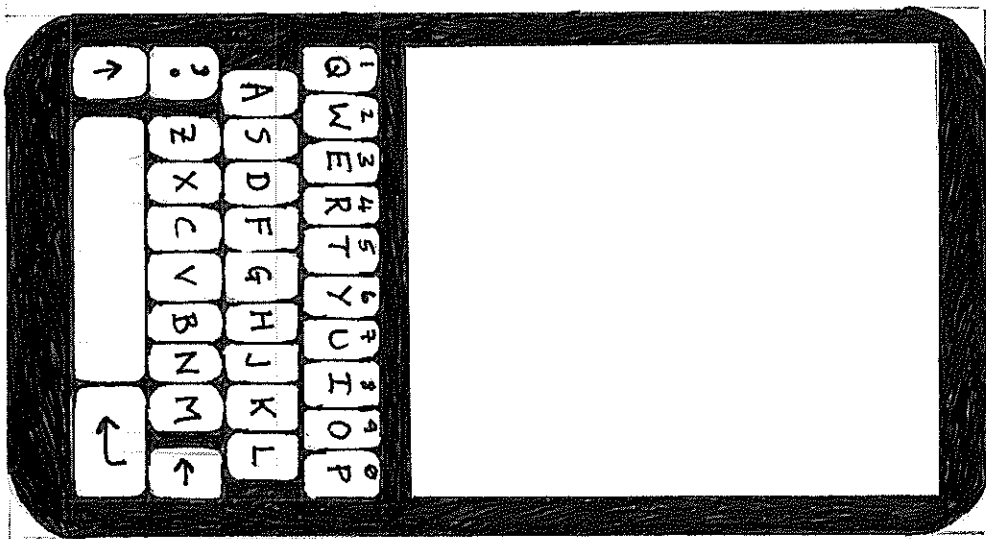
Front

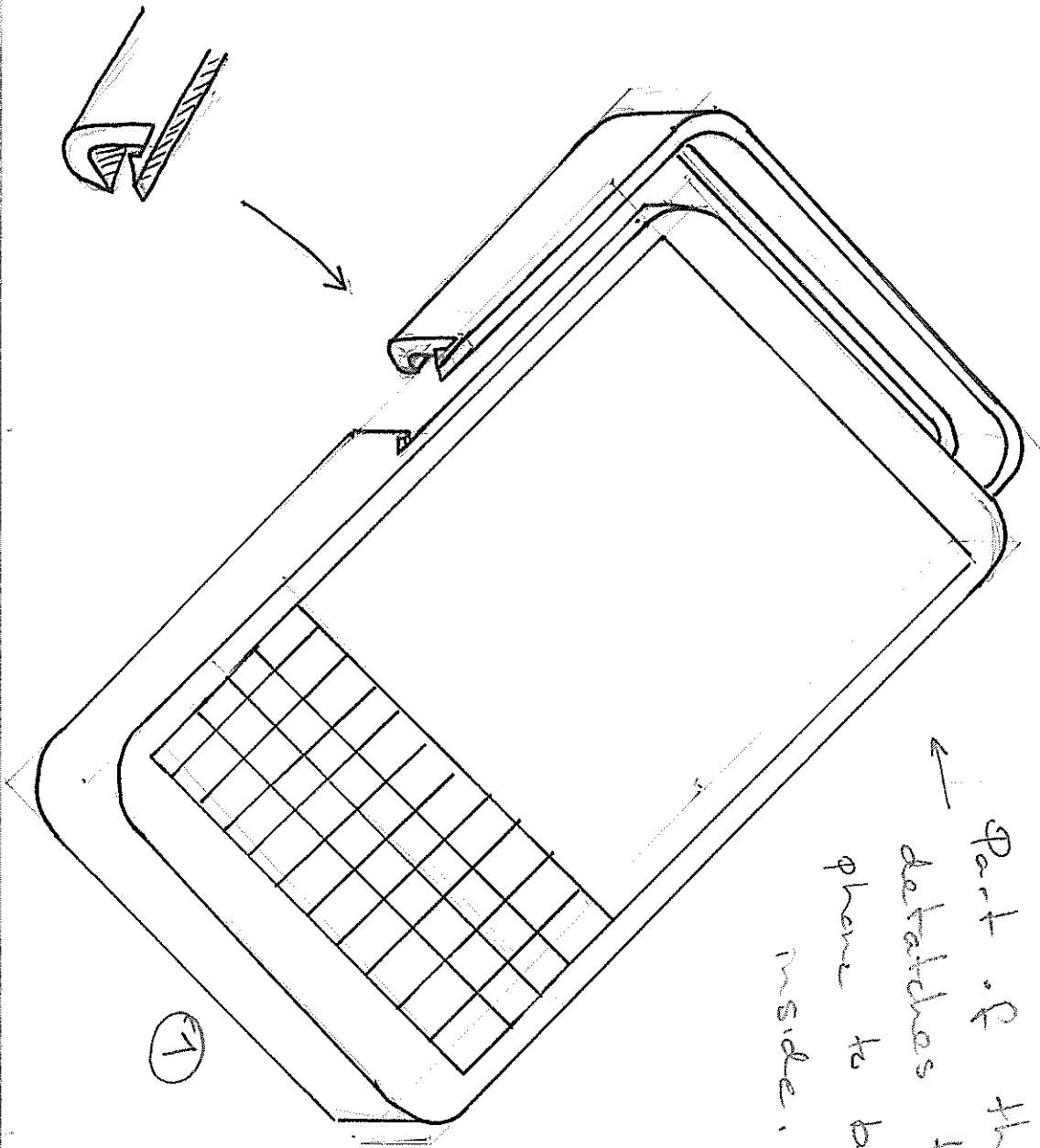


With phone inside



Back



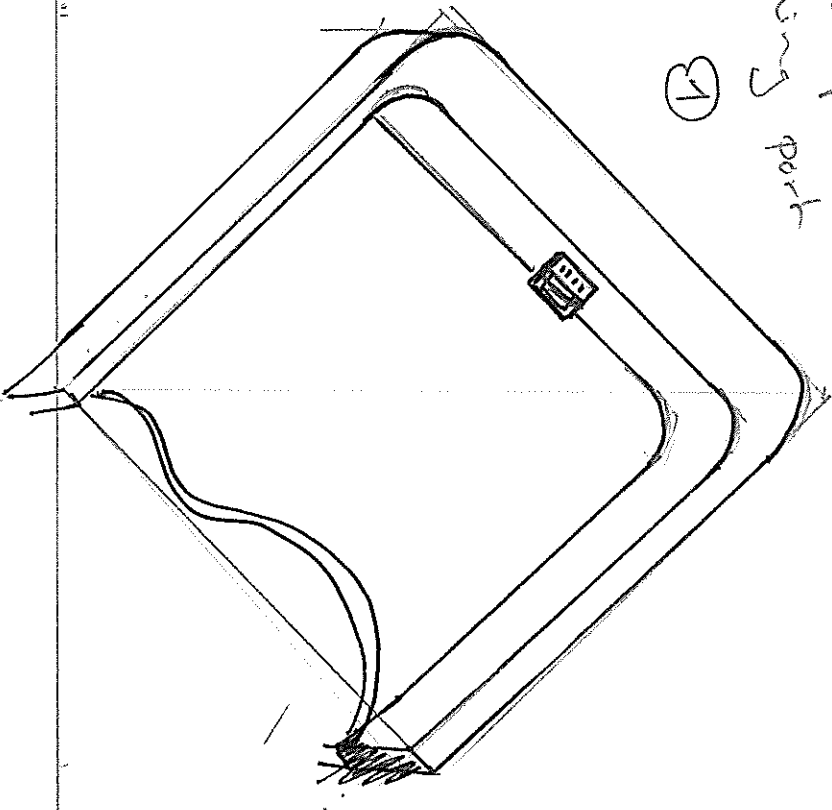


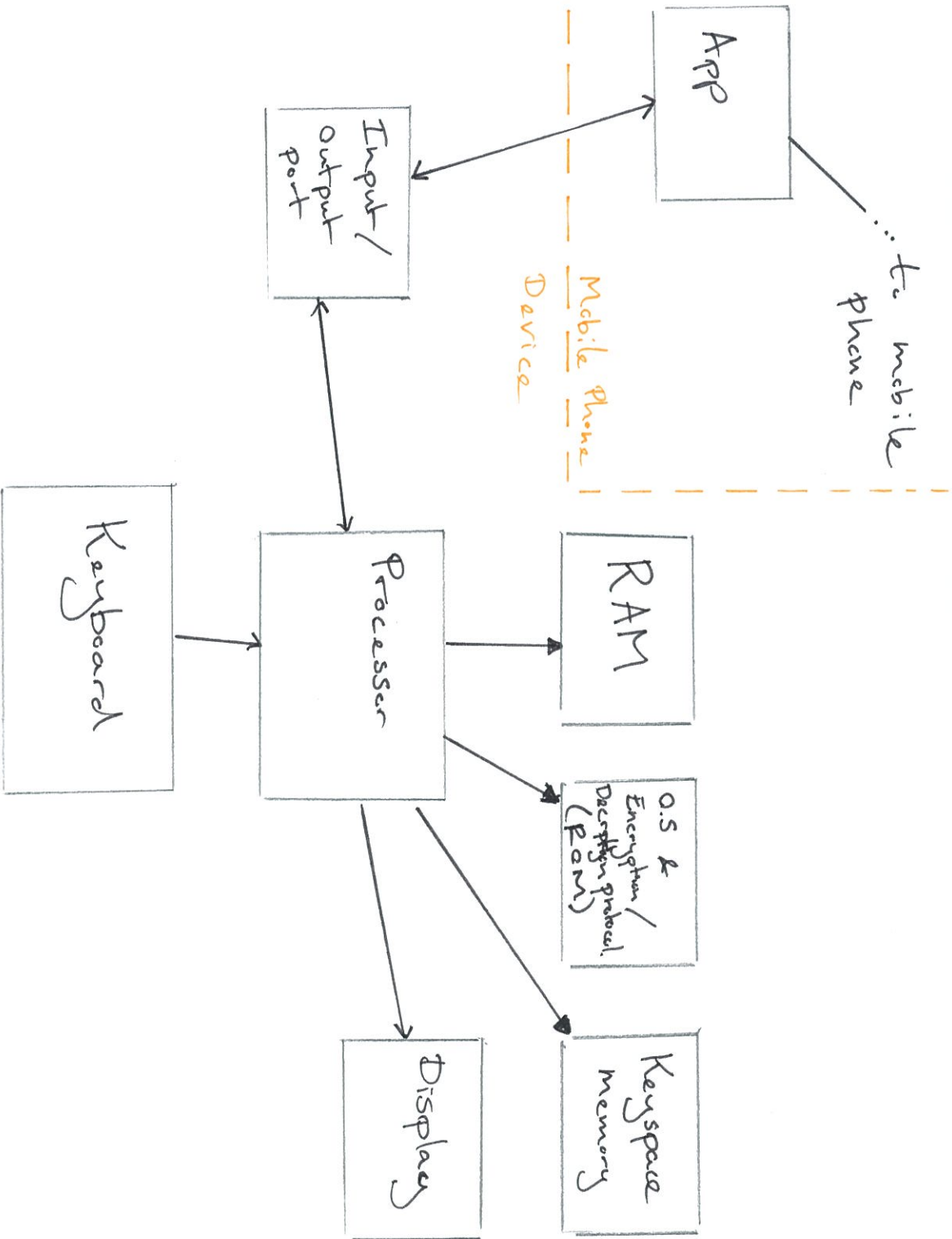
← Part of the case
detaches to allow the
phone to be placed
inside.

①

Note: This is a cutaway showing that the input/output micro USB / lightning port is directly under the keyboard.

(B)





Schematic